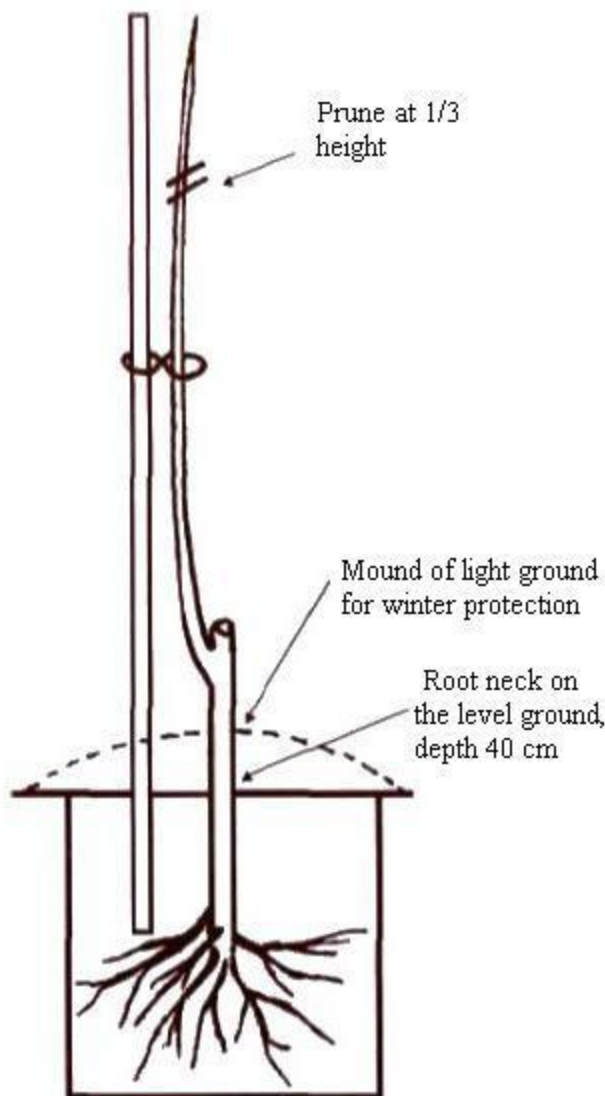




PLANTATION

THE PLANTATION will be carried out rather at the end of November till January.



GROUND WORK

- A subsoiling to 50 cm
- A fertilization to correct if necessary
- A ploughing
- Surface work to refine ground

RECEPTION OF THE SEEDLINGS

- Open the packages
- Put the seedlings in sand or very light ground while absolutely avoiding air pockets

PLANTATION

- By good weather and on a ground not too wet
- In holes of 40 cm³
- Spread out the roots like a star shape while you bring the fine ground (It's absolutely essential to avoid the air pockets).
- The depth of plantation must correspond to that of the seedbed.
- **IMPORTANT:** Do not put neither manure nor fertilizer in the hole of plantation

PROP AND PROTECT the seedlings against game.

